

THIS DRAWING IS UNPUBLISHED.

RELEASED FOR PUBLICATION

1998

© COPYRIGHT 1998

ALL RIGHTS RESERVED.

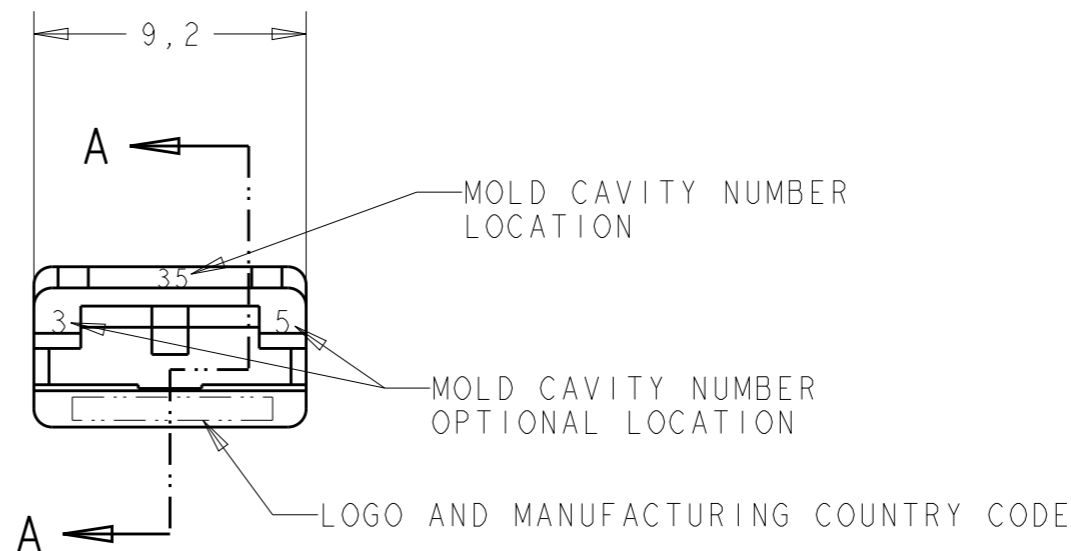
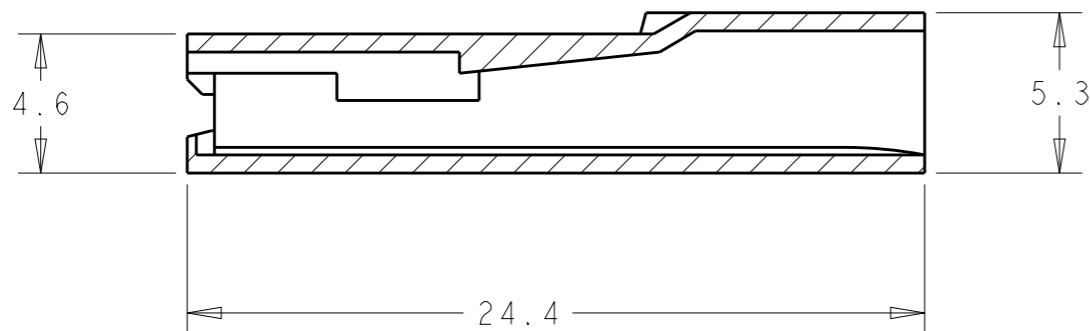
LOC
AP

DIST
-

REVISIONS

P	LTR	DESCRIPTION	DATE	DWN	APVD
	V7	REDRAW ECO-12-009353	07DEC2012	HC	WLS
	V8	REV .BY ECO 16-010419	15JULY2016	HC	WLS
	V9	REVISED BY ECO 16-010765	20JULY2016	HC	WLS

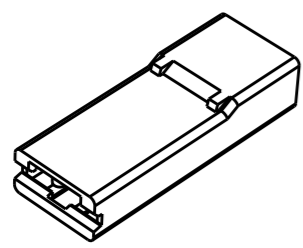
SECTION A-A
SCALE 4:1



- ① - PA 6.6 ACCORDING TO SPEC. IEC 60335-1 GWT 750°C WITHOUT FLAME.
- ② - PA 6.6 94 V-2 THERMO STABILIZED.
- ③ - PACKAGING QUANTITY: 15000 PIECES IN A BOX.
- ④ - PAKAGING: 25 PLASTIC BAGS WITH 300 PIECES EACH IN A BOX. TOTAL 7500 PIECES/BOX

NEGRO/BLACK	POLYAMIDE 6/6 V-2	8-735075-2 ④
NEGRO/BLACK	POLYAMIDE 6/6 V-2 ②	8-735075-1
NATURAL/CLEAR	POLYAMIDE 6/6 V-0 ①	8-735075-0
NATURAL/CLEAR	POLYAMIDE 6/6 V-0	6-735075-0
NATURAL/CLEAR	POLYAMIDE 6/6 V-0	2-735075-6 ③
NEGRO/BLACK	PA 6.6 V-2	1-735075-5
AMARELO/YELLOW		1-735075-4
AZUL/BLUE		1-735075-3
VERMELHO/RED		1-735075-1
NATURAL/CLEAR		1-735075-0
NEGRO/BLACK		POLIPROPILENO/POLYPROPYLENE
VERDE/GREEN	735075-2 ③	
VERMELHO/RED	735075-1 ③	
NATURAL/CLEAR	735075-0	
COR/COLOR	MATERIAL	PART NUMBER

OBSOLETE
OBSOLETE



THIS DRAWING IS A CONTROLLED DOCUMENT.

DWN H. CANTERI 06DEC2012
CHK W.L. STEFANI 07DEC2012
APVD -

PRODUCT SPEC 108-22033
APPLICATION SPEC -
WEIGHT -

STE TE Connectivity

NAME POST INSULATION FASTON
6,35 mm. HSG.

SIZE A3 CAGE CODE 00779 DRAWING NO. C-735075 RESTRICTED TO -

Customer Drawing SCALE - SHEET 1 OF 1 REV V9

DIMENSIONS:	TOLERANCES UNLESS OTHERWISE SPECIFIED:
mm	
0 PLC	±-
1 PLC	±-
2 FC	±GENERAL
3 FC	±TOLERANCES
4 PLC	± ±0.3
ANGLES	±1
FINISH	SEE TABLE